

Application note - How to connect the third-party inverter to Sigen Energy Gateway

Revision History

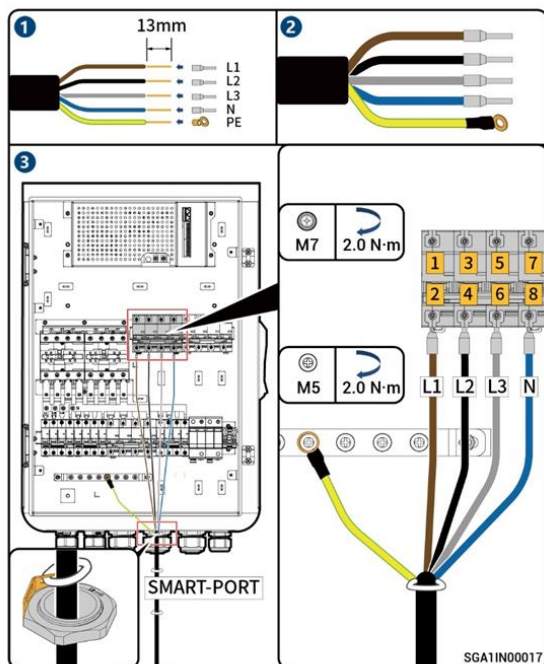
Version 1.0, June 2024 – Initial release



For the Sigen Energy Gateway HomeMax, if necessary, the third-party inverter can be connected to the smart load port, not the backup port, there is no communication between the Gateway and the third-party inverter, and the third-party inverter will be disconnected when it is off-grid.

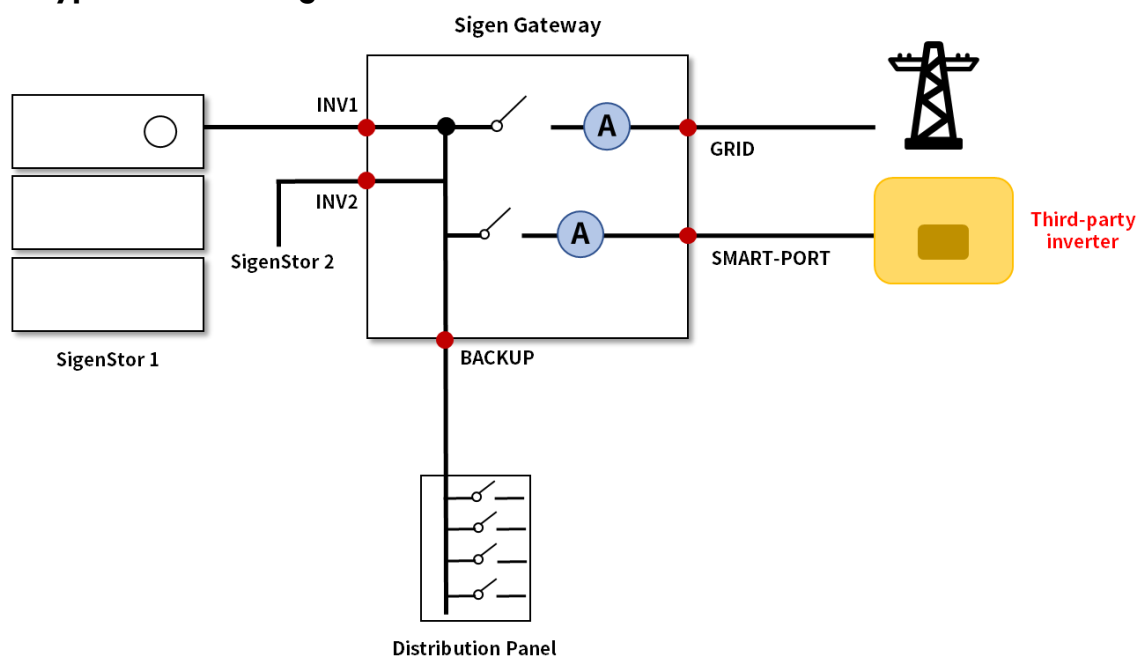
Technical Description

1. Connecting the third-party inverter Power Circuit



Follow the instructions in the diagram to connect the third-party inverter power wires to the Gateway's SMART-PORT circuit breaker. Then refer to the user manual of Gateway, switch off all circuit breakers and wait for at least 5 minutes before connecting the wires, and then switch on the circuit breakers one by one.

2. Typical Networking



The third-party inverter should be connected to the smart load port of the Gateway, there is no communication between the Gateway and the third-party inverter. In this case, SigenStor serves as the power source, functioning like the grid for third-party inverters.

Tips

- Sigen Energy Gateway only supports third-party PV inverters, not Hybrid inverters.
- The power of the third-party inverter must not exceed the capacity of the Smart-Port of Gateway, please refer to the datasheet for details.
- In the off-grid mode, when the power of the third-party inverter is \leq (power of load + power of Sigen inverter), the third-party inverter can operate normally, otherwise, the third-party inverter will stop operating.

3. Currently supported third-party inverters

As tested by Sigenergy Labs, Gateway currently supports the following third-party inverters.

No.	Brand	Product
1	GoodWe	DNS Series
2	Enphase	IQ8 Series Microinverter
3	FRONIUS	Fronius String Inverter Primo
4	SAJ	R5 Series, H1 Series, HS2 Series, R6 Series, C6 Series
5	HUAWEI	SUN2000 Series (Residential and C&I Solution)
6	INGETEAM	Ingecon Sun STORAGE, Ingecon Sun
7	Solis	Solis-(100-110)K-5G

Sigenergy Labs will be testing more third-party inverters and will keep this document up-to-date.

Disclaimer: The information on this file is provided on an "as is" basis. To the fullest extent permitted by law, Sigenergy Technology Co., Ltd. excludes all representations and warranties relating to this file and its contents or which is or may be provided by any affiliates or any other third party, including in relation to any inaccuracies or omissions in this file.