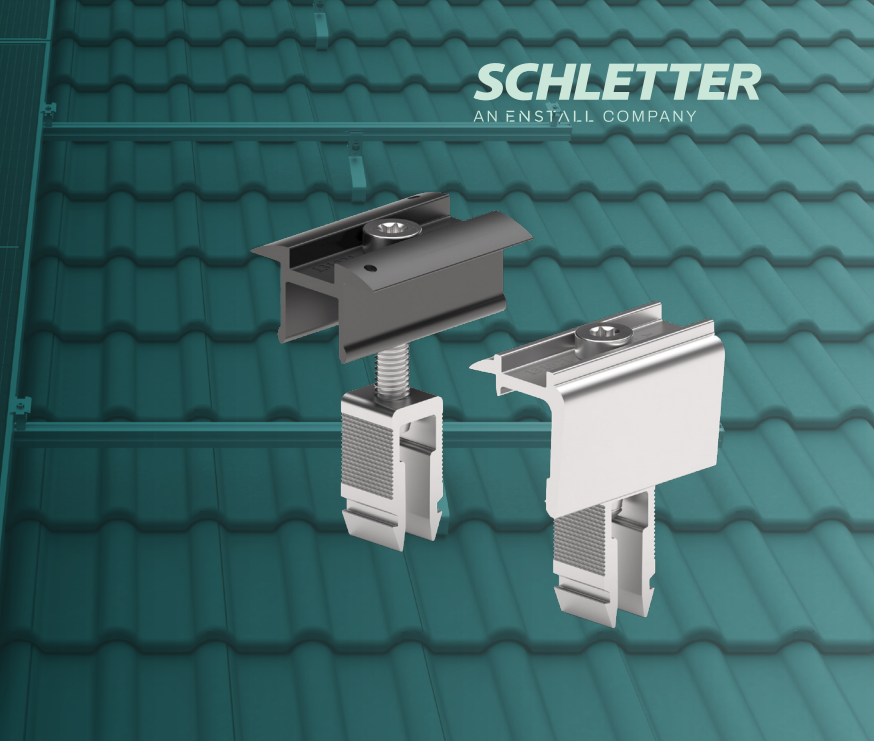


MODULE CLAMPS PRO

- + One module clamp fits all frame heights
- + Proven quick and easy installation

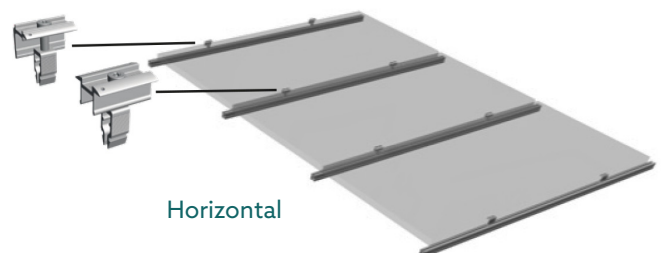
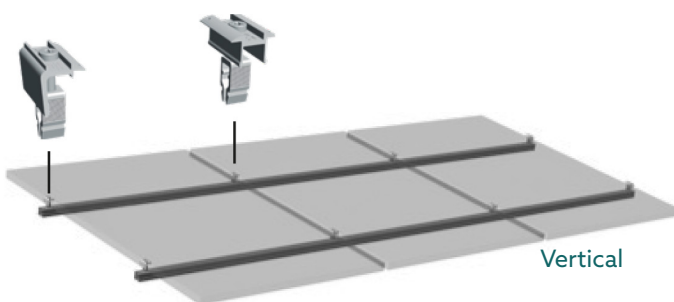


ONE SIZE FITS ALL

The Module Clamp is designed for all Schletter module-bearing profiles of the Proline series. With its large clamping range of 30 - 47 mm, the module clamp can fix solar modules with all common frame heights. A grounding pin is integrated in every clamp.

The claws of the clamp can be rotated and are therefore suitable for both – the vertical and the horizontal (linear) module clamping.

All clamps are also available in black anodised versions to match them best to black module frames.



► MODULE CLAMPS PRO

TECHNICAL DETAILS

Scope of application

Clamp mounting for framed modules

Material

System components:

- + Aluminium
- + Stainless Steel Screws and Grounding Pins

Structural analysis

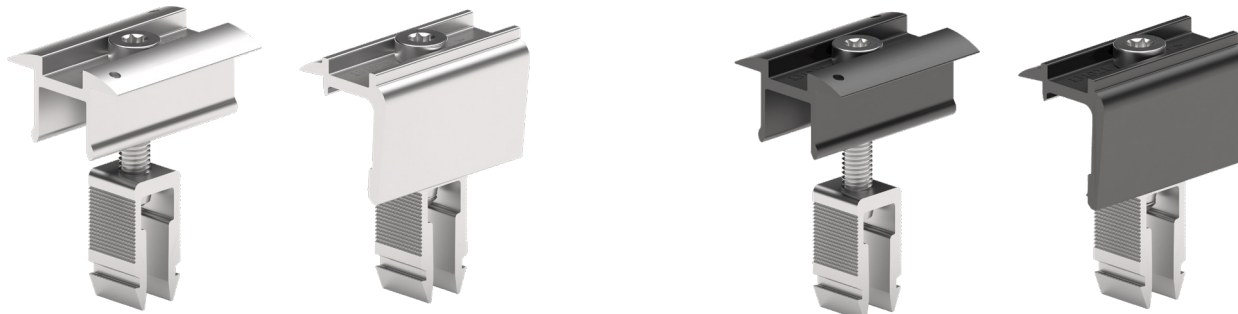
Structural analysis based on the recognized rules of technology. The verification of structural safety for the mounting system is based on Eurocodes and general construction approvals. The load assumptions comply with DIN EN 1991-1 and the regulations of the national annex. The verification of the roof covering and the building is not included. Notes in the verification must be observed.

Warranty

25 Years according to our warranty terms.

Supplementary documents

- + Assembly instructions Module Clamps Pro
- + Component overview - Module clamps for framed modules



ARTICLE OVERVIEW

Mill Finish

131021-021	Mid Clamp Pro wide
131021-020	End Clamp Pro wide

Black Anodised

131021-921	Mid Clamp Pro wide Black
131021-920	End Clamp Pro wide Black