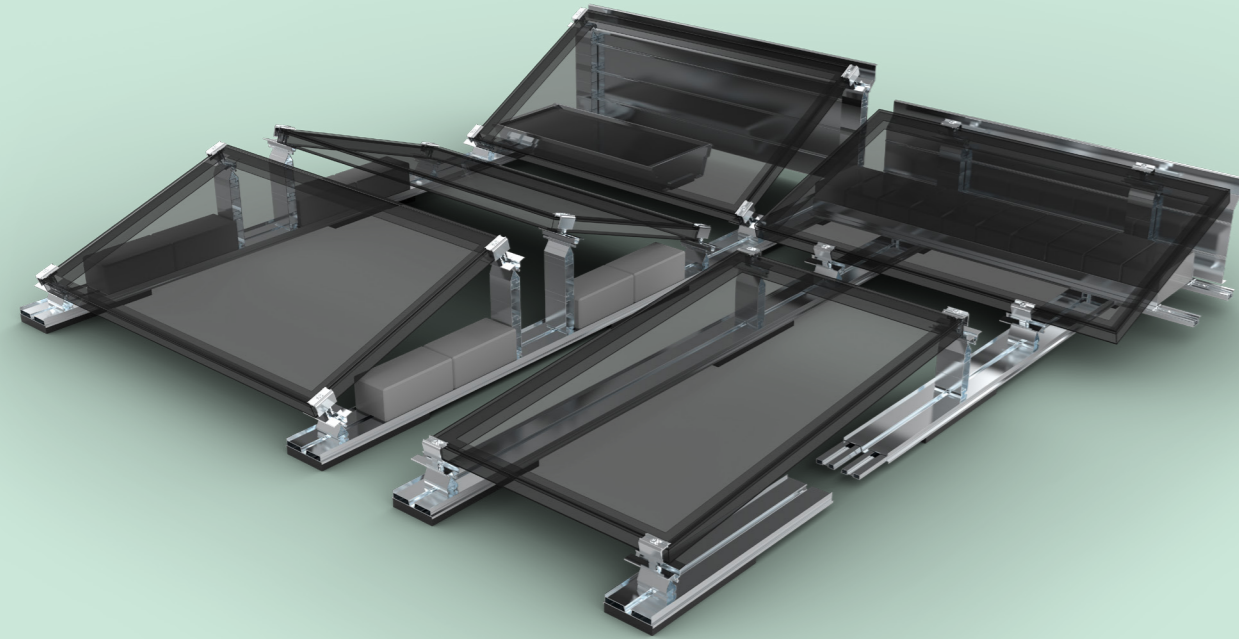


FIXGRID PRO

PROLINE



- + Ballast optimisation and reduction through improved aerodynamics
- + Planning and assembly flexible and time-saving
- + Facilitated assembly and wiring of the modules
- + Compatible with ProLine series module clamps
- + Extensive assembly variants can be realised with just a few components
- + Module support Pro allows flexible adjustment to the desired angle of inclination
- + Toolless mounting of the Pro elevation profiles
- + Modules can be mounted crosswise and upright
- + Module clamping can be done on the short or long module frame side

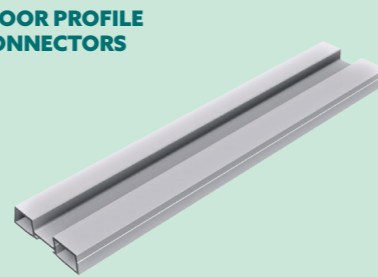
BALLAST AND COMPOSITE RAIL



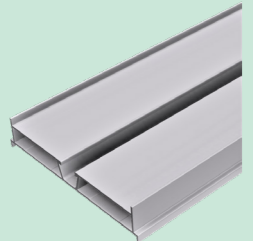
BALLAST RAIL CONNECTORS



FLOOR PROFILE CONNECTORS



FLOOR PROFILE



MODULE SUPPORT



HEIGHTENING ELEMENT



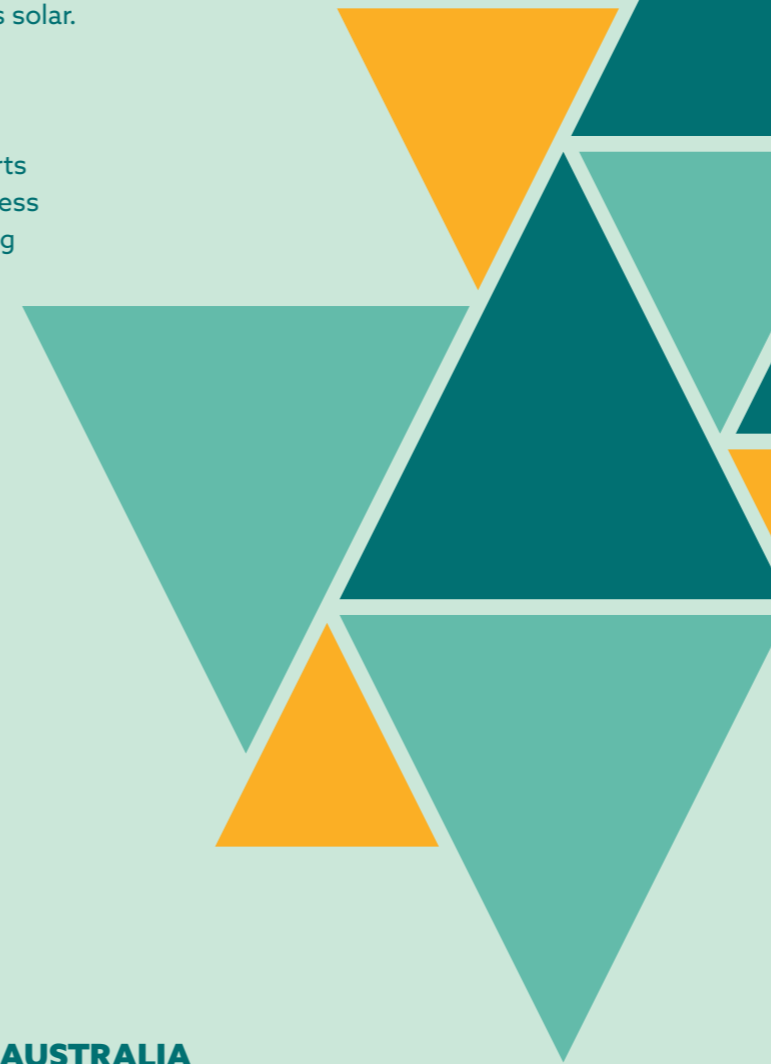
WE SUPPORT SOLAR.

AT SCHLETTER, WE BELIEVE THAT ANY ENTERPRISE, BIG OR SMALL, CAN ONLY BENEFIT FROM PASSIONATE SUPPORT.

And if ever there were an industry worth supporting, it's solar. Which is why we care about the success of every solar company, including yours.

We're here to cheer you forward, and support your efforts with products engineered to secure the long-term success of your solar projects - which will contribute to changing lives and the planet for the better.

If you don't deserve our support, who does?



SCHLETTER AUSTRALIA
4/27 WILLIAMSON RD INGLEBURN NSW
WWW.SCHLETTER-GROUP.COM

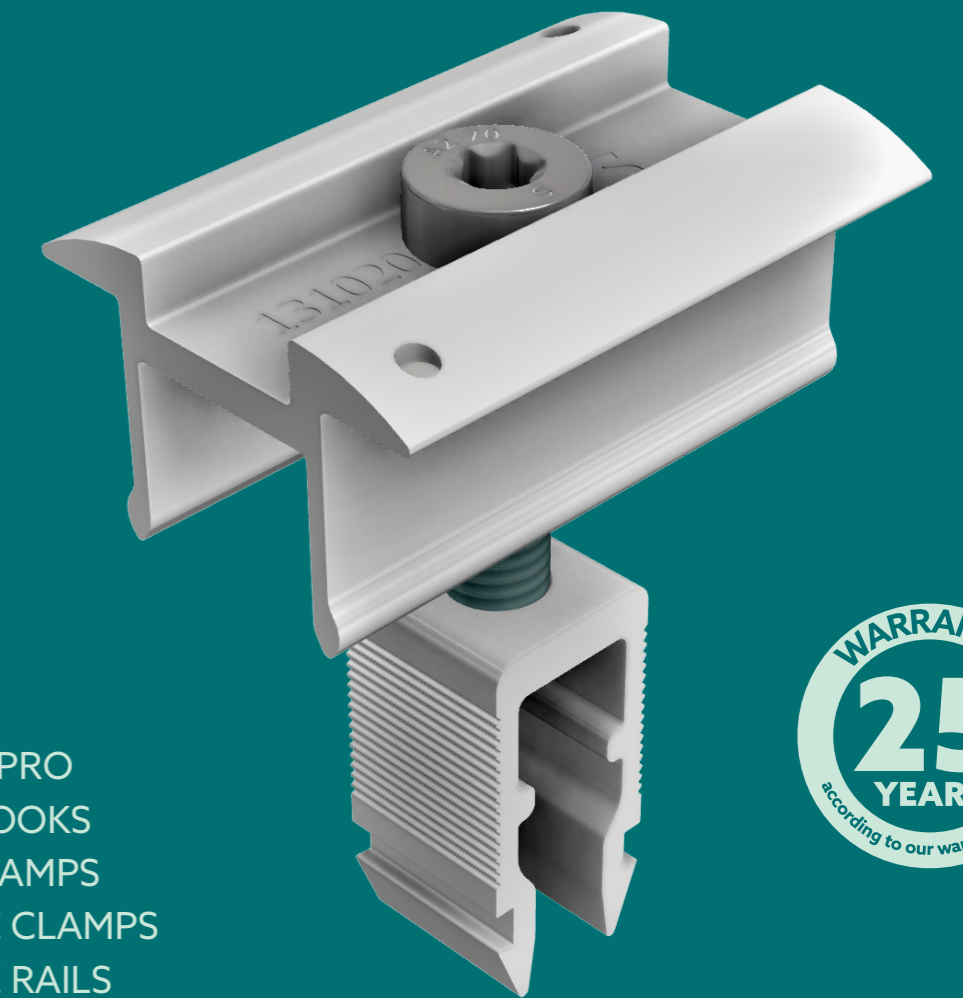
SCAN ME.

SCHLETTER

PROLINE

AUSTRALIA

UNLIMITED POSSIBILITIES.



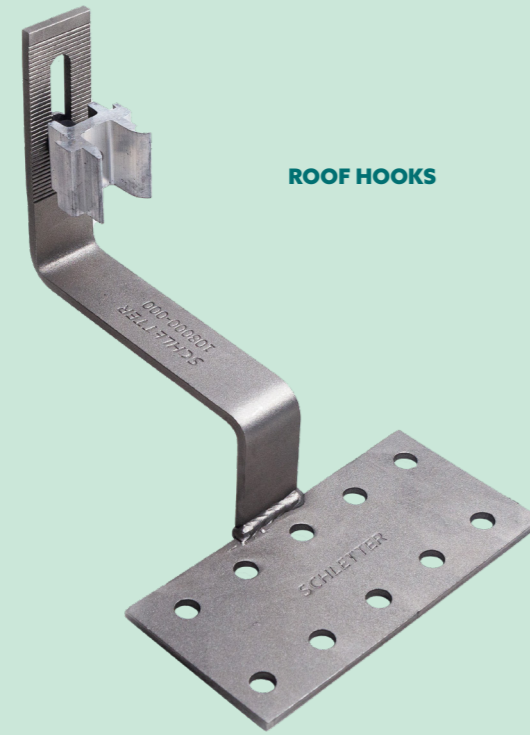
- + FIXGRID PRO
- + ROOF HOOKS
- + SEAM CLAMPS
- + MODULE CLAMPS
- + MODULE RAILS
- + TRAPEZOIDAL & CORRUGATED SHEET CONNECTION
- + ACCESSORIES



WWW.SCHLETTER-GROUP.COM

ROOF HOOKS PROLINE

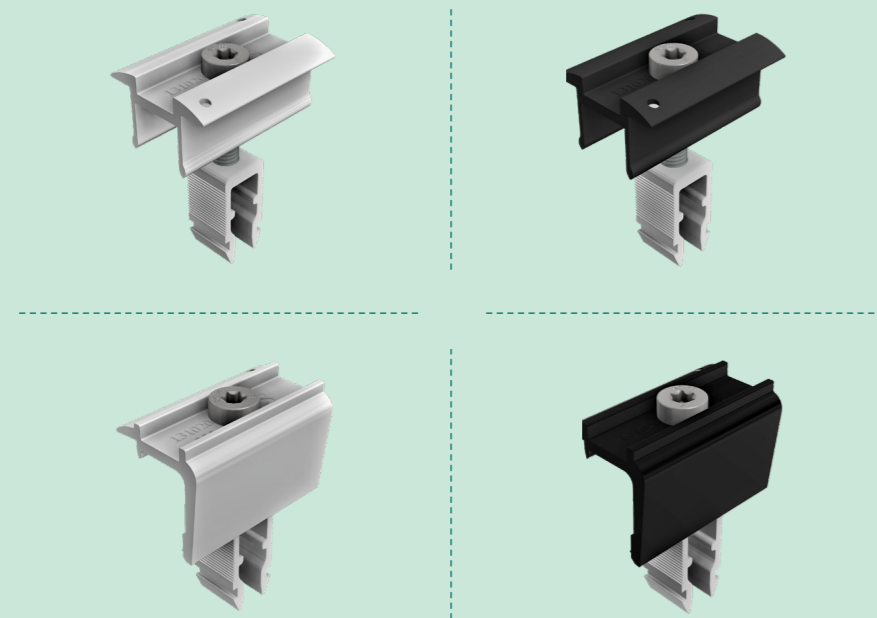
- + Adjustability and stability
- + Fastening with the Torx T40
- + Fast and flexible mounting by click-in
- + No pressure on the roof tile
- + Multi-adapter with Torx T40, can be installed with the classic Schletter profiles as well as the new ProLine profiles
- + Universal screw - wood or steel



MODULE CLAMPS PROLINE

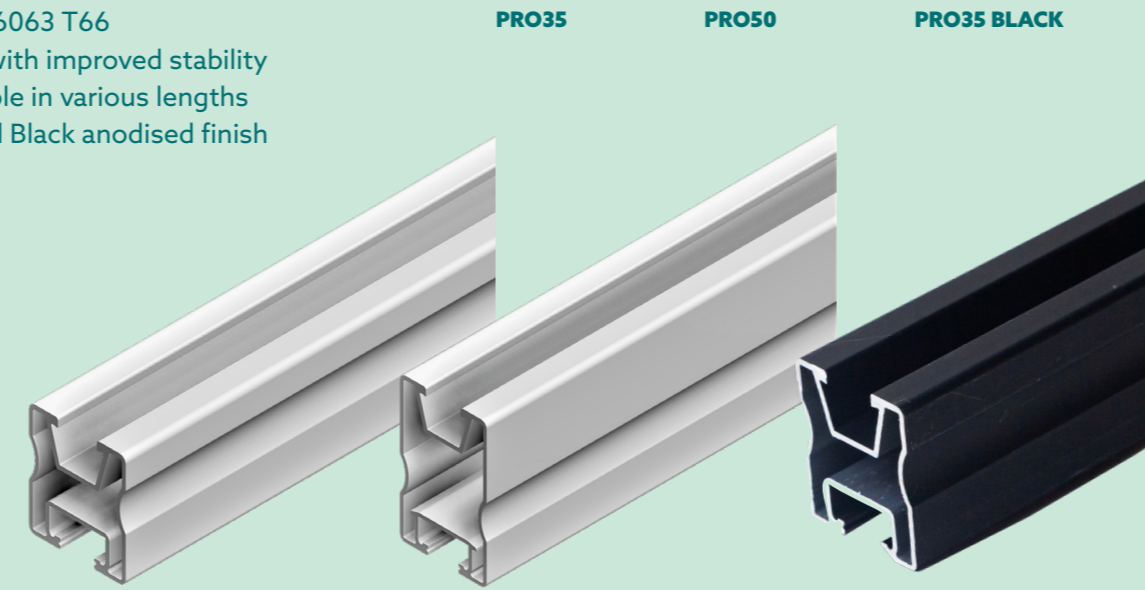
- + Middle and end clamps for mounting module frames between 30 - 47 mm
- + Mounting with Torx T40
- + Completely pre-assembled for quick installation
- + Built-in grounding function
- + Available in Mill and Black anodised aluminium
- + Clamps are free standing prior to being tightened

MODULE CLAMPS



MODULE RAILS PROLINE

- + Aluminum EN AW-6063 T66
- + Reduced material with improved stability
- + Module rails available in various lengths
- + Available in Mill and Black anodised finish

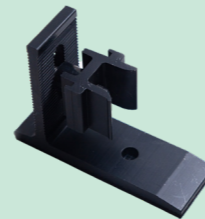


TRAPEZOIDAL AND CORRUGATED SHEET CONNECTION PROLINE

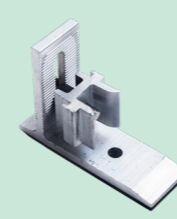
(DIRECT TO SHEET OR PURLIN)

- + Fastening solutions for all applications - direct to sheet or purlin
- + Black or Mill anodised finishes
- + All fastening solutions for portrait and landscape

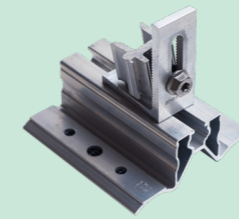
RAPID2+ SML (BLACK)



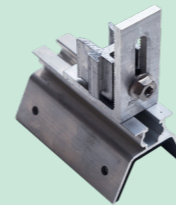
RAPID2+ SML



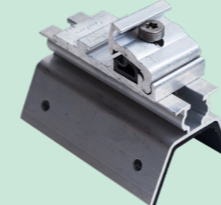
CORRUGATED EMU



TRIMFIX/KINGFIX EMU



TRIMFIX/KINGFIX KLIKTOP



CORRUGATED KLIKTOP



SEAM CLAMPS PROLINE

- + For mounting on standing seam roofs
- + Fast and direct fastening
- + For a wide range of sheet metal seam roofs
- + All fastening solutions for portrait or landscape

KLIPLÖK CLASSIC/HIGH EMU



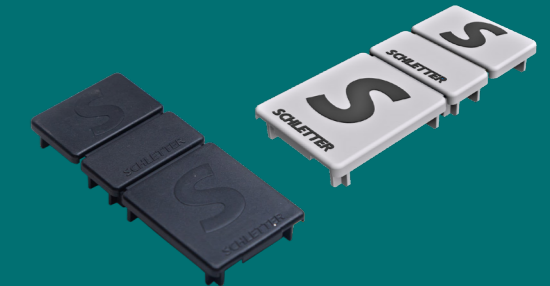
KLIPLÖK CLASSIC/HIGH KLIKTOP



ACCESSORIES PROLINE

- + ProConnector - tool-free, self-locking slide-in connector
- + Pro plastic end cap - Plastic end cap for ProLine module support profiles available in Black or Silver
- + Universal screw for timber and steel fastening
- + Module cable clamps
- + Earthing clamps
- + Earthing Shim (only for full black system)
- + Micro/optimiser mounting kits

PRO PLASTIC END CAP



MICRO/OPTIMISER KIT



EARTHING CLAMP



EARTHING SHIM



PRO INTERNAL CONNECTOR

