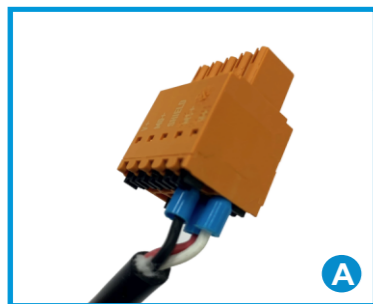
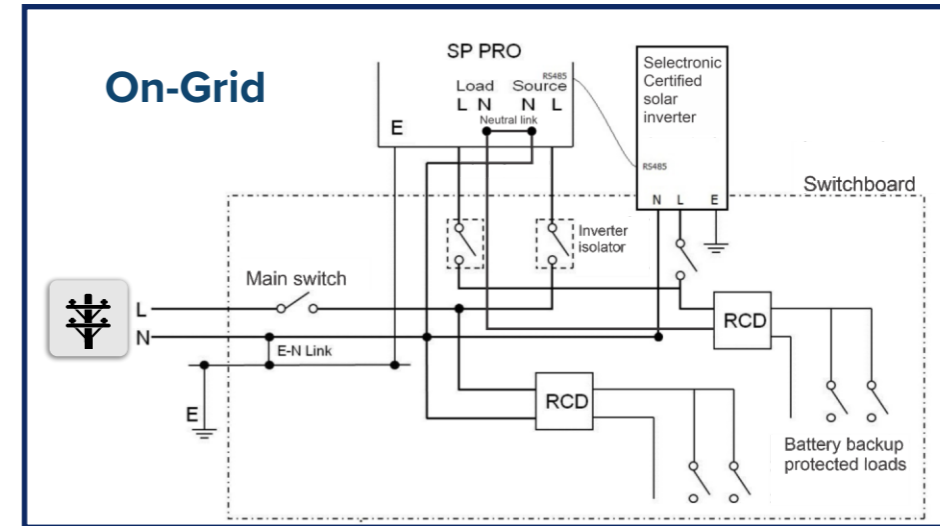
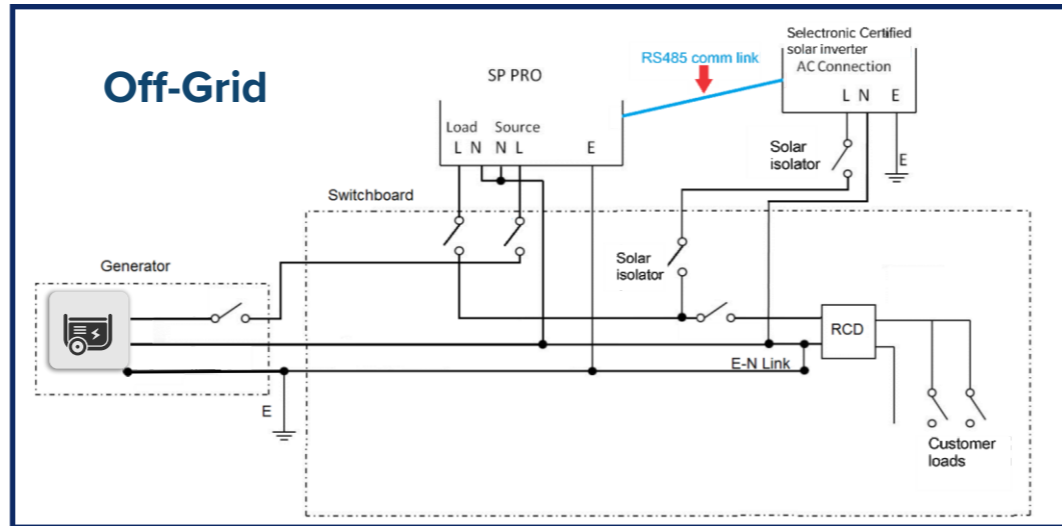




SP PRO Series 2i Fronius GEN24 Primo Installation Overview

Must be read in conjunction with Fronius Primo and SP PRO installation notes.

SP PRO requires Version 15.23 and ACC Version 5.01 or higher. Not compatible with the SP PRO models SPMC240-AU, SPMC241-AU, SPMC1201 only when On-Grid.



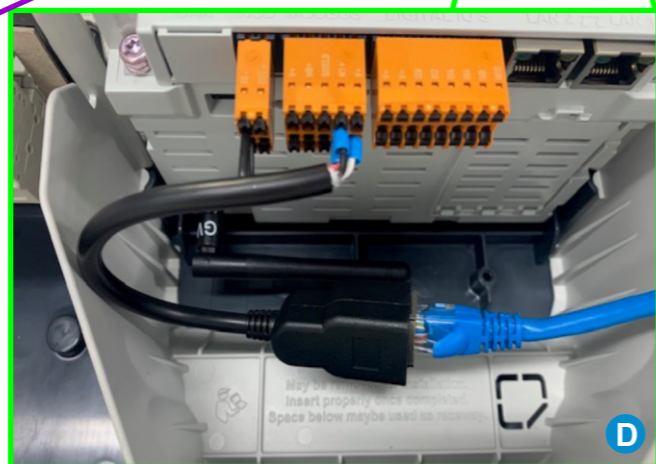
DO NOT offset plug
White = GND
Red = M1-
Black = M1+



Set **MB1** switch
ON for a single unit or last in chain
OFF for all others



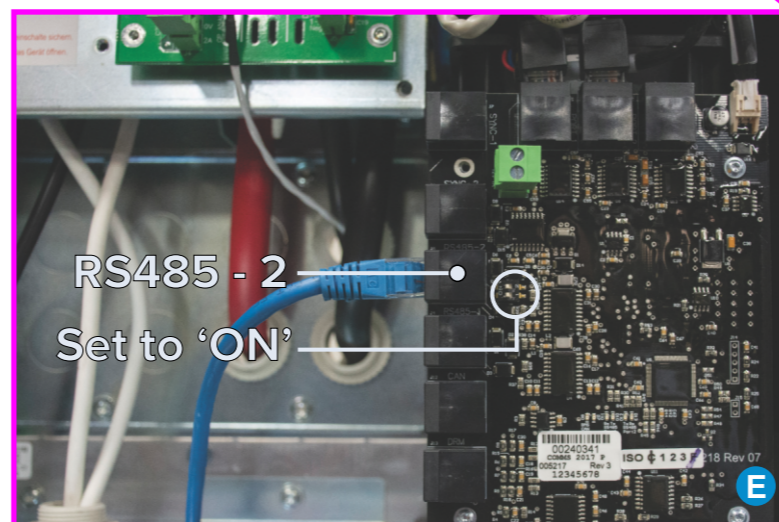
Chained Modbus for multiple units. See Fronius GEN24 installation manual for more details



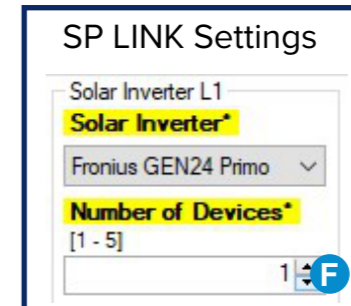
Single unit or last in the chain



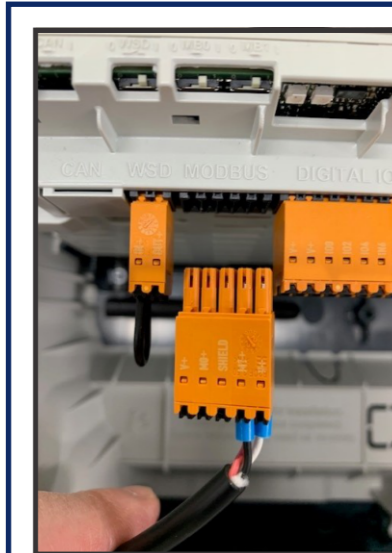
RS485 comm link



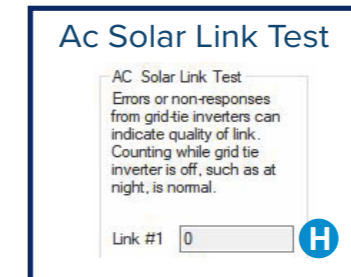
RS485 - 2
Set to 'ON'



Set incrementing addresses starting from 1



Fall Back Testing
- Unplug
- Wait 10 seconds, check:



Please ensure to run the SP LINK site configuration Wizard.
View installation Note: **IN0061**
www.selectronic.com.au/support