

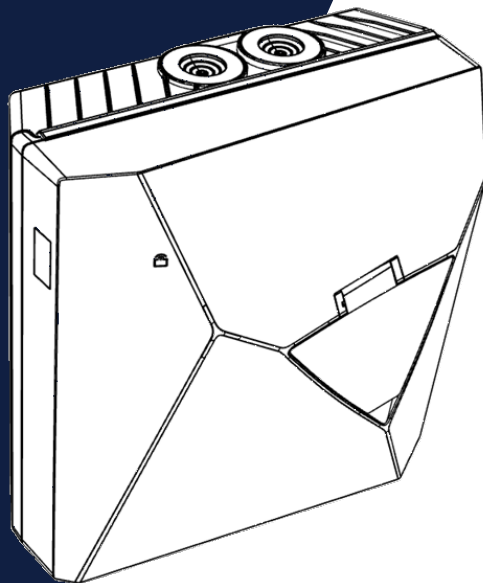


SolarEdge ONE EV Charger and SolarEdge ONE EV Charger Pro

Quick Installation Guide

Version 1.0

MAN-01-01271-1.0



Online version



(Sticker) Serial
no. + PIN no.

This page intentionally left blank



WARNING/WARNUNG/ATTENTION/ATTENZIONE



EN: Installation, commissioning, maintenance or retrofitting of the charging station must be performed by correctly trained, qualified, and authorized electricians who are fully responsible for compliance with existing standards and installation regulations.

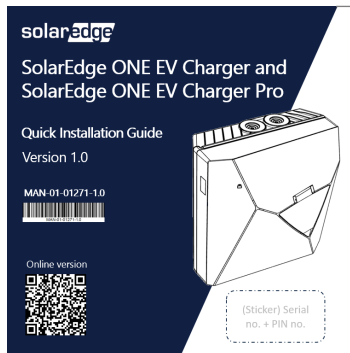
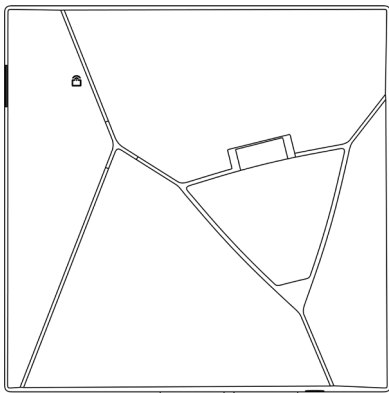
DE: Montage, erste Inbetriebnahme, Wartung oder Nachrüstung der Ladestation müssen von einschlägig ausgebildeten, qualifizierten und befugten Elektrofachkräften durchgeführt werden, die dabei für die Beachtung der bestehenden Normen und Installationsvorschriften voll verantwortlich sind. Für den Anschluss nach EnWG 14a konsolidieren die Anleitung über den QR-Code.

FR: L'installation, la mise en service, la maintenance et la rénovation de la borne de recharge doivent être effectuées par des électriciens formés, qualifiés et autorisés, tenus de respecter strictement les normes et réglementations d'installation.

IT: L'installazione, la messa in servizio, la manutenzione o il retrofit della stazione di ricarica devono essere eseguiti da elettricisti correttamente formati, qualificati e autorizzati, che siano pienamente responsabili della conformità agli standard e alle norme di installazione esistenti.

NL: Installatie, inbedrijfstelling, onderhoud of aanpassing van het laadstation moet worden uitgevoerd door correct opgeleide, gekwalificeerde en geautoriseerde elektriciens die volledig verantwoordelijk zijn voor naleving van de bestaande normen en installatievoorschriften.

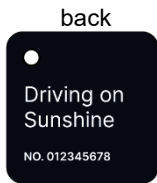
HE: התקנה, הפעלה, תחזוקה או התאמה של תחנת הטעינה חייבות להתבצע על ידי חשמלאים שהוכשרו, הוסמכו והורשו כראוי, והם אחראים במלואם לעמידה בתקנים הקיימים ובתקנות ההתקנה.



QIG



x1 RFID



$\phi 4 \times 20$ T20



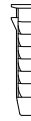
x4 screws

$\phi 5 \times 50$ T20



x4 screws

$\phi 8 \times 40$



x4 wall anchors

$\phi 4 \times 8$ T20



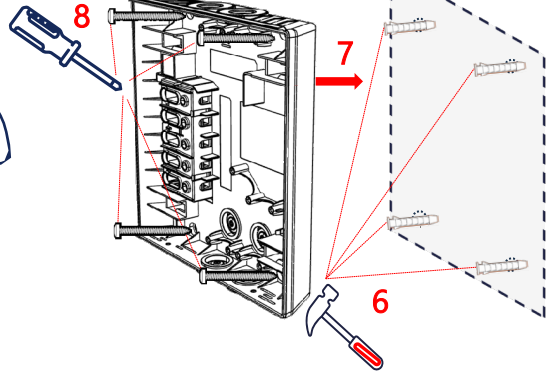
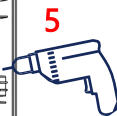
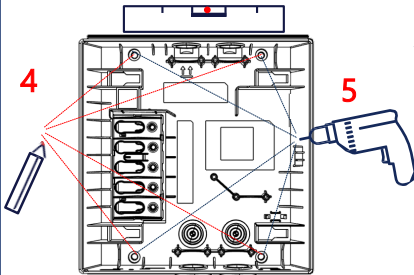
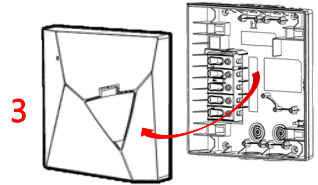
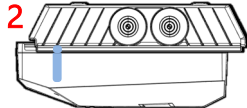
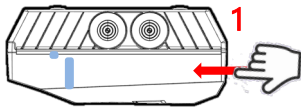
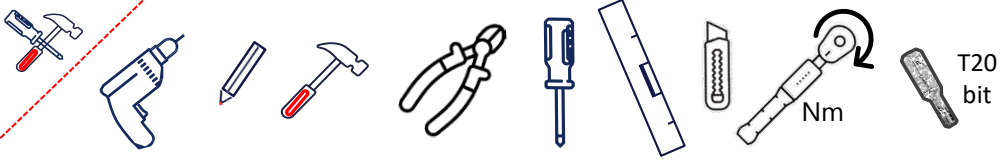
x2 screws

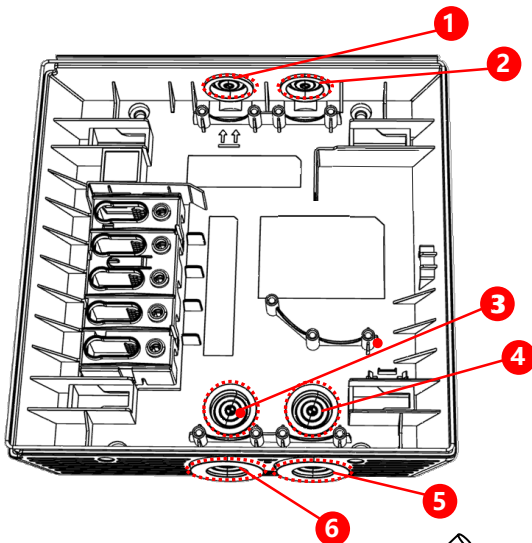


x2 cable clamps

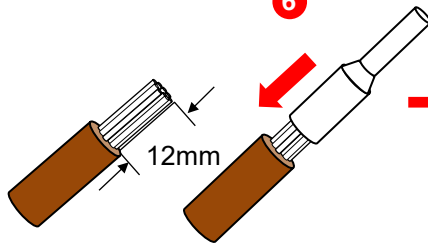
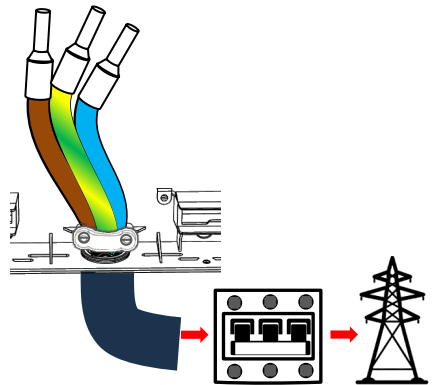
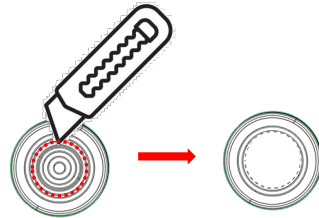


x1 seal plug

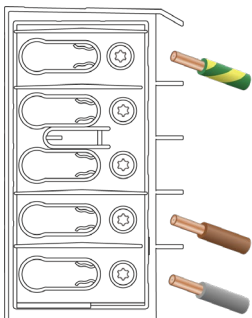




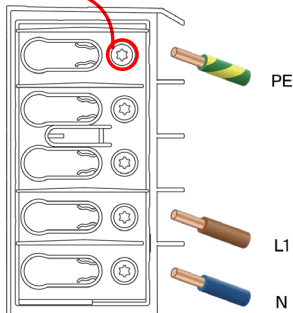
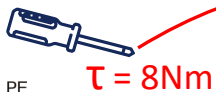
1 to 6 : cable entry points



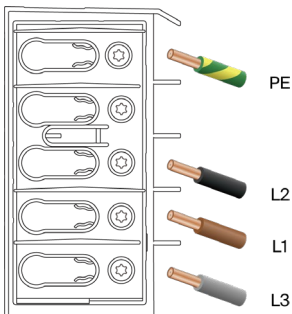
Use: 2.5mm² to 16mm² - single conductors
2.5mm² to 10mm² - multi-strand conductors (if allowed by local regulations)



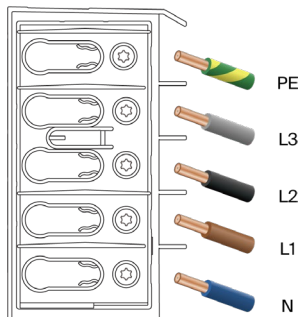
IT/TT 1-phase (230V)



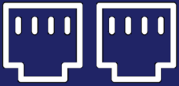
TN/TT 1-phase (230V)



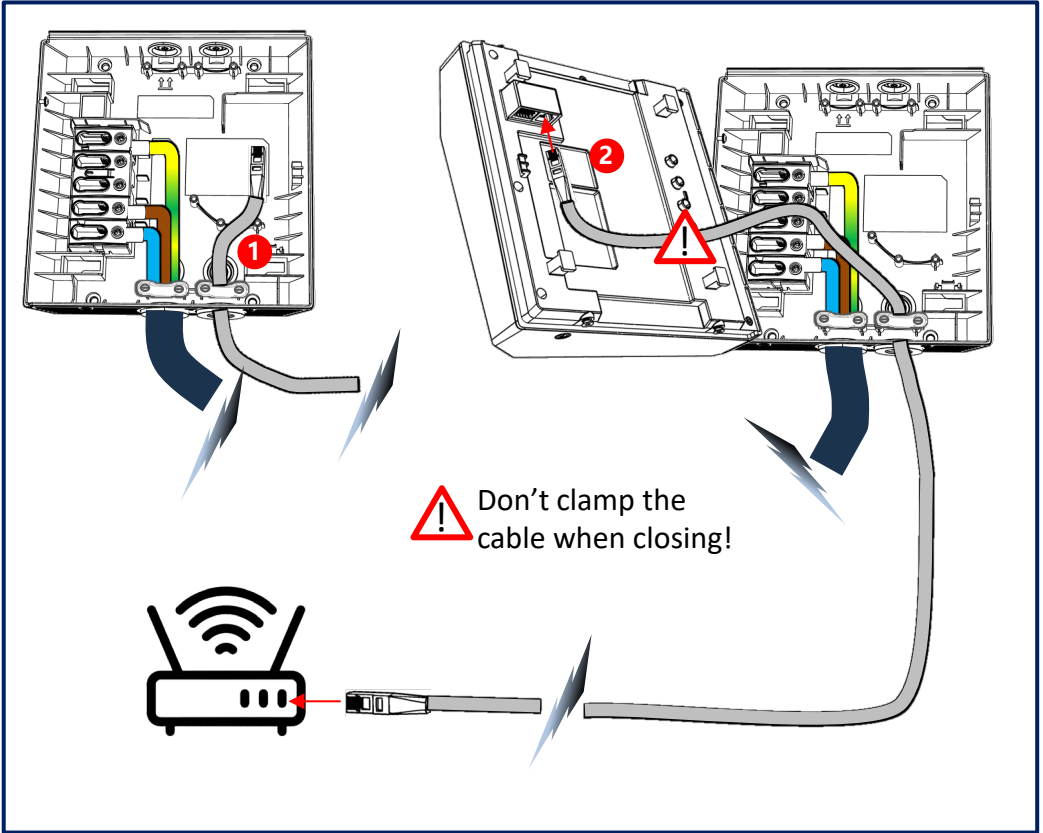
IT/TT 3-phase (3 x 230V)



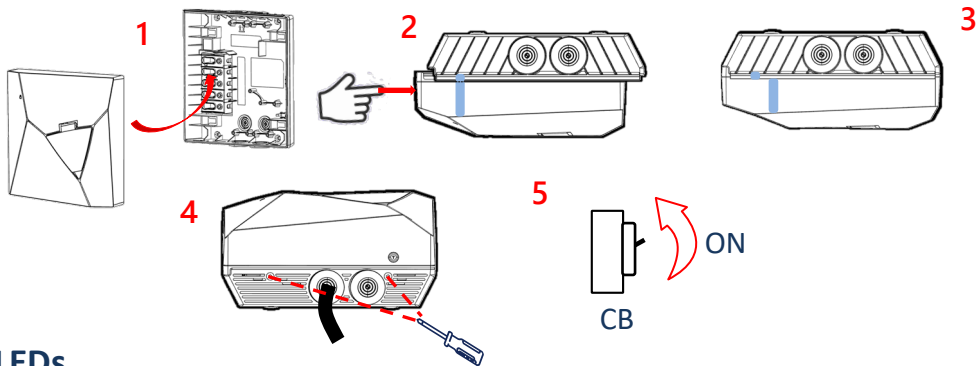
TN/TT 3-phase (3X 230V/400V)



Optional



Power ON



LEDs

	EN	DE	FR	IT	NL	HE
	Constant blue - Ready to charge	Konstantes Blau - Bereit zum Laden	Bleu constant - Prêt à charger	Blu costante - Pronto per la ricarica	Blauw constant - Klaar om op te laden	כחול קבוע - מוכן לטעינה
	Pulsing blue - Charging	Pulsierendes Blau - Lädt	Bleu clignotant - En charge	Blu pulsante - In carica	Blauw knipperend - Opladen	כחול מהבהב - בטעינה
	Constant white - Standby - online	Konstantes Weiß - Standby - online	Blanc constant - Veille - en ligne	Bianco costante - Standby - online	Wit constant - Standby - online	לבן קבוע - המתנה - מקוון
	Pulsing white - Standby - offline	Pulsierendes Weiß - Standby - offline	Blanc clignotant - Veille - hors ligne	Bianco pulsante - Standby - offline	Wit knipperend - Standby - offline	לבן מהבהב - המתנה - לא מקוון
	Flashing red - Critical error. Contact SE.	Blinkendes Rot - Kritischer Fehler. Kontaktieren Sie SE	Rouge clignotant - Erreur critique. Contactez SE	Rosso lampeggiante - Errore critico. Contattare SE	Rood knipperend - Kritieke fout. Neem contact op met SE	אדום מהבהב - שגיאה SE קריטית. פנה ל-
	Constant red - Check the APP	Konstantes Rot - Überprüfen Sie die APP	Rouge constant - Vérifiez l'APP	Rosso costante - Controllare l'APP	Rood constant - Controleer de APP	אדום קבוע - בדוק את האפליקציה

Commission



- For SolarEdge Home, complete the setup using the SolarEdge EV SetApp application.
- For SolarEdge ONE EV for C&I, Wevo, and third-party CPMS's, ensure that the EV charger is set up in the CPMS system BEFORE commissioning.



Datasheet



Commissioning video



Online QIG



Manual/Anleitung
Manuel/Manuale



Installation video



SolarEdge
support



This page intentionally left blank



Declaration of conformity

SolarEdge declares that the SolarEdge ONE EV Charger featured in this guide complies with the EU RED 2014/53/EU.

Declaration of conformity

SolarEdge declares that the SolarEdge ONE EV Charger Pro featured in this guide complies with the EU RED 2014/53/EU and the EU MID 2014/32/EU.

For the full EU Declaration of conformity, scan:



Subject to change without notice.
Copyright © SolarEdge Inc.
All rights reserved. June 2025.



MAN-01-01271-1.0