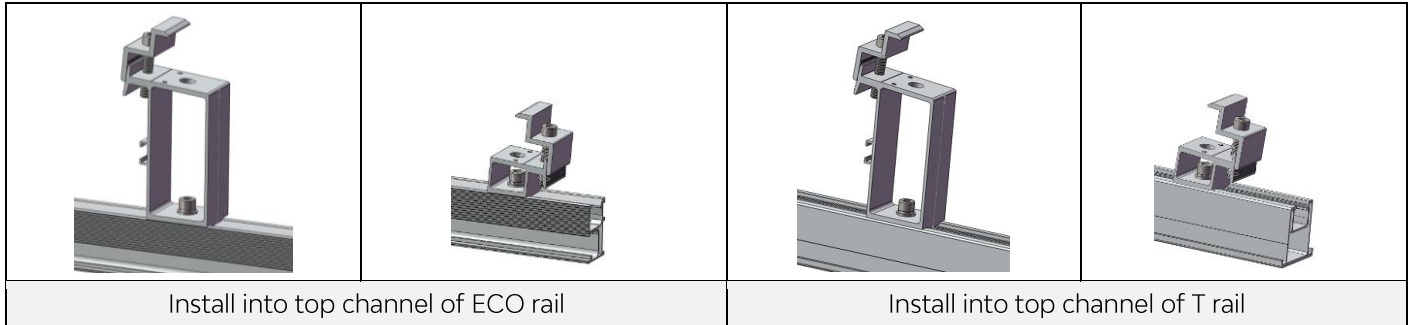
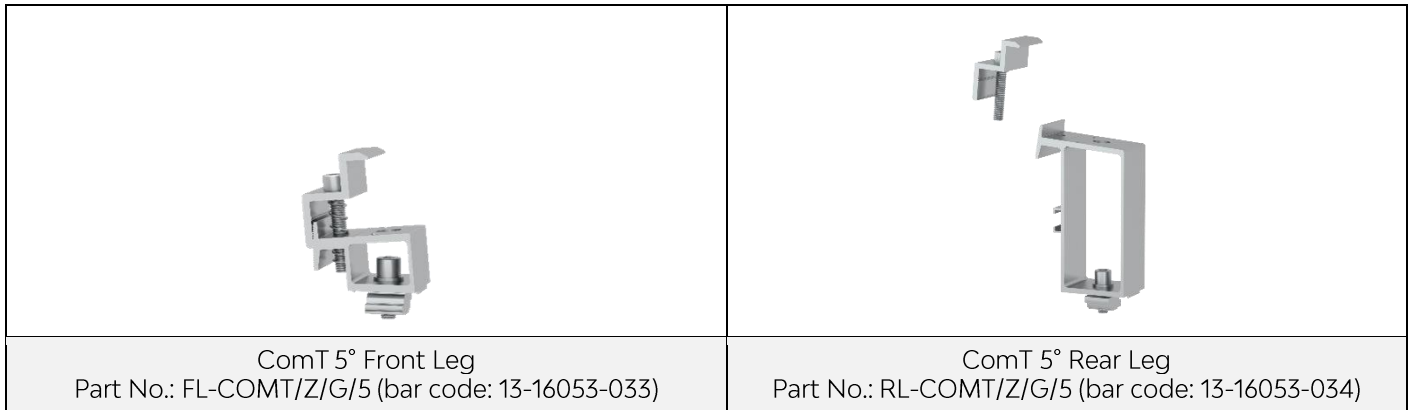


ComT 5° Front and Rear Legs


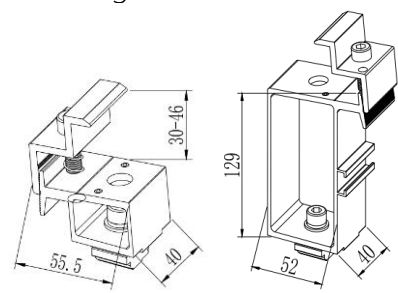
Assembly



Component



Technical Specification

Roof type	Tin and Flat Roof	 <p>A 200 mm driving bit provided in each pack of rear leg</p> 
Fixing Method	Fixing on the top channel of ECO rail or T50/110 rails with Z Module	
PV Panel Dimension	Up to 2400 x 1200 mm	
Packaging	Front leg: 30 units per pack, 4 packs (120 units) per carton Rear leg: 70 units per carton	
Weight	Front leg: 0.141 kg; Rear leg: 0.207 kg Front leg: 18.4 kg (carton); Rear leg: 15.0 kg (carton)	
Packaging Dimension	L395*W260*H330mm (carton dimension)	
Material	AL6005-T5	
Color	Silver (half-anodized no less than 10 μm)	
Standard	AS NZS1170.2-2011	